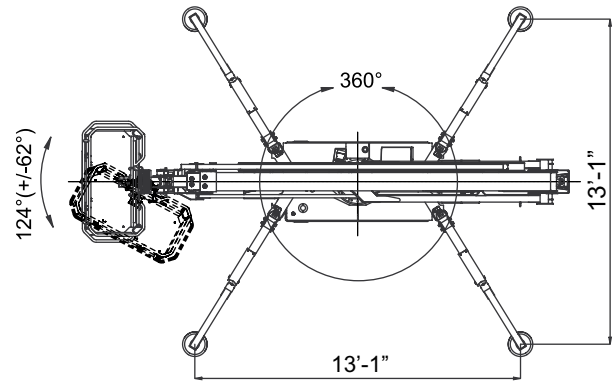


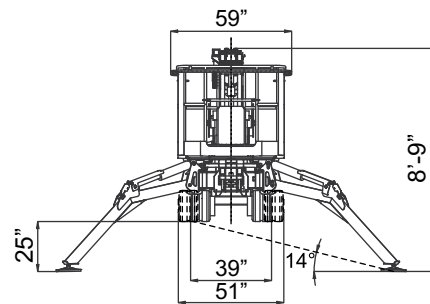
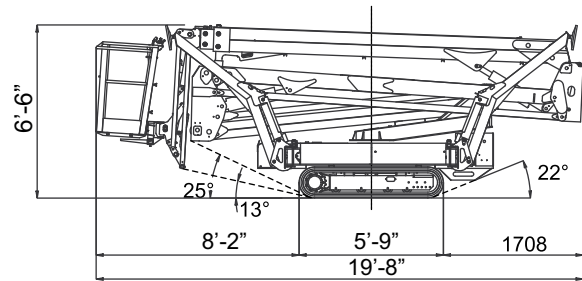
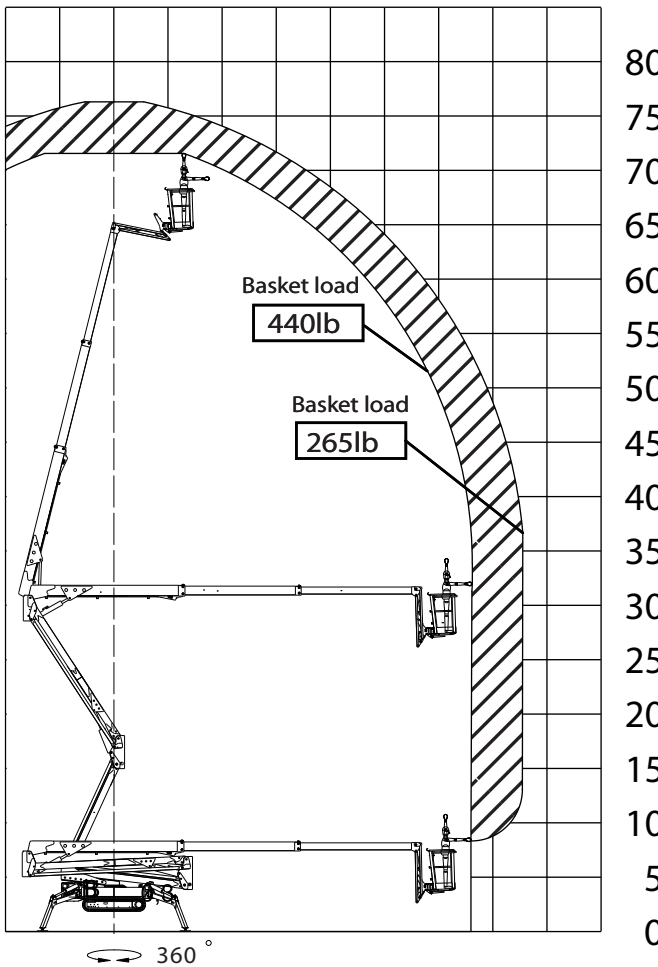
HOW WE MEASURE UP

X700 TRACK MOUNTED BOOM

| | |
|--------------------------------------|----------|
| Working Height (265 lbs in Basket) | 76' |
| Working Height (440 lbs in Basket) | 71' |
| Horizontal Reach (265 lbs in Basket) | 38' |
| Horizontal Reach (440 lbs in Basket) | 33' |
| Height (Transport Mode) | 6' 6" |
| Width (Transport Mode) | 39" |
| Length (Transport Mode) | 19' 8" |
| Weight (with Standard Equipment): | 6592 lb |
| Track Bearing Pressure | 7 psi |
| Outrigger Bearing Pressure | 43.5 psi |



10 5 0 5 10 15 20 25 30 35 40 ft



All measurements are intended as a guide and optional equipment/upgrades may alter measurements. We reserve the right to change prices and specifications without prior notice.

Custom Aerial Booms
and Atrium Lifts
available up to 180 foot
reach. Access
solutions and consulting
services available
worldwide.

NATIONWIDE Rentals • Sales • Service
SERVICE ONE, INC.

2850 W. Fulton • Chicago, Illinois 60612

773.533.5100

fax: 773.533.3088

www.denkalift.com

800.298.7990

Call us for
more information
or to arrange
for an ON-SITE
EVALUATION.