



# B53 BLUELIFT

## The BLUELIFT Series

The new line of quality aerial lifts from the Italian manufacturer Bluelift s.r.l., provide unique track-mounted (crawler) boom lift solutions. Innovation, quality, superior design, and above all safety are trademarks of Bluelift s.r.l. With working heights from 39 to 72 feet, in and outdoor use, and access through a single or double door, the BLUELIFT series appeals to a broad range of applications: Rental industry (residential as well as commercial), window cleaners, building maintenance, tree care industry, and HVAC operators to mention a few. These compact lifts feature dual-fuel capabilities - a 110 volt electric drive motor for indoor use, and an on-board gas powered generator for use outdoors.

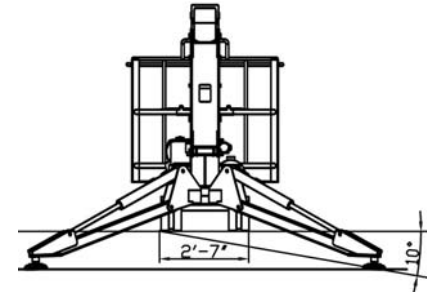
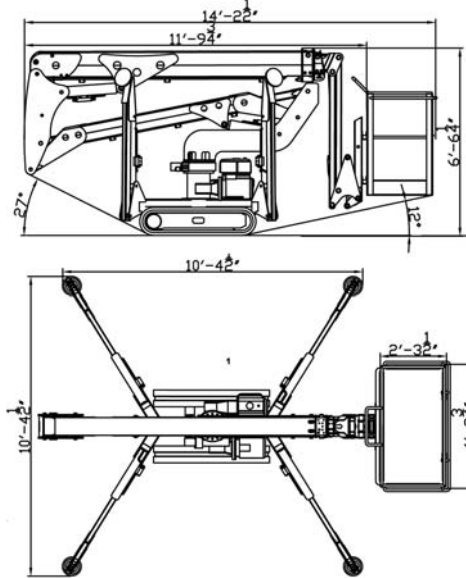
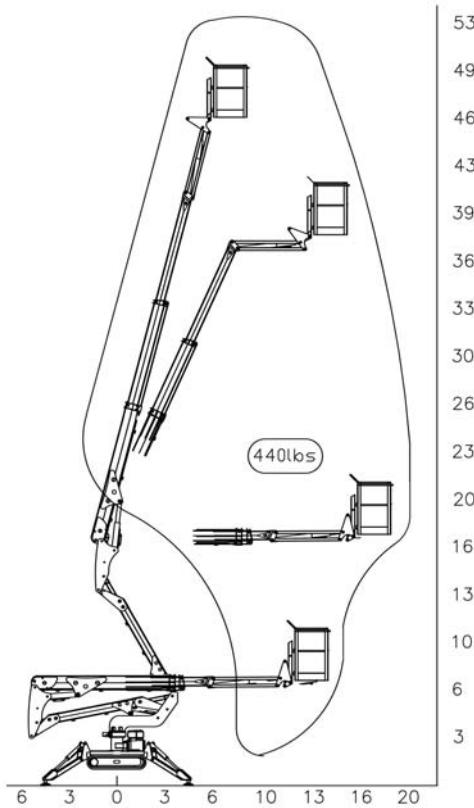
- Available in 4 models from 39ft - 72ft
- Pass through a single or double door opening
- Automatic outrigger setting
- Full workheight with 440lbs in the basket
- Remote and wireless control
- 110V to the basket
- Set up on uneven surfaces
- Detachable basket
- FMS (Function Memory System)
- Automatic turret center stop

## Model

## B53

|                         |   |
|-------------------------|---|
| Working height          | 53'   |
| Basket height           | 47'   |
| Max outreach            | 19'   |
| Basket load             | 440 lbs   |
| Basket dims             | 4'- 3 <sup>3</sup> / <sub>4</sub> " x 2'- 3 <sup>1</sup> / <sub>2</sub> " |
| Basket rotation         | +/-90°  |
| Turret rotation         | >320°   |
| Height                  | 6'- 6 <sup>1</sup> / <sub>2</sub> "                                       |
| Length (w/o basket)     | 11'- 9 <sup>3</sup> / <sub>4</sub> "                                      |
| Length (w/ basket)      | 14'- 2 <sup>1</sup> / <sub>2</sub> "                                      |
| Width (w/o basket)      | 2'- 7"  |
| Footprint               | 10'- 4 <sup>1</sup> / <sub>2</sub> "                                      |
| Weight (approx)         | 4,730 lbs   |
| Max pressure, tracks    | 8.3 psi   |
| Max pressure, footplate | 65.4 psi  |
| Track size (per track)  | 44" x 6 <sup>1</sup> / <sub>2</sub> "                                     |
| Foot pad size (per pad) | 48 <sup>1</sup> / <sub>2</sub> sq-in                                      |
| 110V drive motor        | Standard  |
| Honda, iGX440           | Standard  |
| Hatz diesel engine      | Option  |

We reserve the right to alterations



# B53 BLUELIFT

## Standard Equipment

- Automatic stability & outreach control
- 180° (+/-90°) basket rotation
- Computer controlled (can-bus)
- Proportional controls
- Self propelled
- 110V drive motor
- Honda iGX440 15HP engine
- >320° non cont. turret rotation
- Manual pump for emergency lowering
- Width of only 2ft7in
- 2 person basket
- Space for tools etc in basket
- 110V to the basket
- Remote Control
- FMS (Function Memory System)
- Automatic turret center stop

## Optional Equipment

- Non marking tracks
- Air/water to the basket
- Hatz diesel engine
- Wireless control
- Adjustable tracks

## Additional Specifications

|                    |          |
|--------------------|----------|
| Boom angle         | 0°/ +75° |
| Oil tank capacity  | 8 gal    |
| Max windspeed      | 28 mph   |
| Operating speed    | 0.9 mph  |
| Travel speed       | 0.9 mph  |
| Drive gradability  | 15°/28%  |
| Set-up gradability | 10°/18%  |

